

Pre-Designed Range

Oregon



An elegant canopy with sweeping lines and minimal structure

Typical Uses

- ▶ Shelter
- ▶ Point of sale
- ▶ Seating area

Features

- ▶ Completely waterproof fabric
- ▶ Designed for year-round use
- ▶ Provides UV protection
- ▶ 5 year Warranty
- ▶ Fabric color range
- ▶ Powder coated or stainless steel masts
- ▶ Optional IP65 rated lighting and heaters



Installation

Please contact us for a quotation to install this structure.

Foundations

We provide loading figures for your engineer to design foundations suited to local ground conditions. Typical details available on request. Foundations supplied by others.

Specifications

Fabric PVC coated polyester with weldable PVDF lacquer - design life 18 years **or** high translucency silicone coated glass fabric - design life 25 years. Both fabrics fire rated. White & cream as standard - option for 4 colors.

Cables & Tensioners Grade 316 stainless steel.

Columns Grade 43 Mild Steel CHS. Powder polyester paint system, 15 years to first maintenance. Any RAL color.

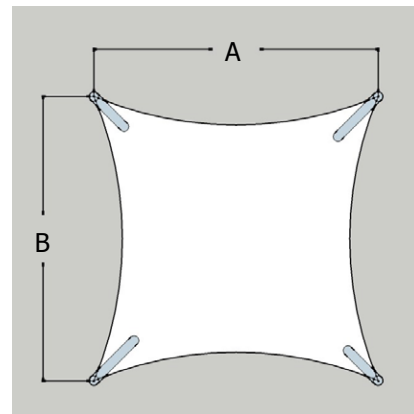
Design All structures are designed and engineered to meet national building and fire codes.

Dimensions (m)

Heights	H1	H2
	2.2	4.0
Plan	A	B
	5.0	5.0

Dimensions (ft)

Heights	H1	H2
	7'2"	13'1"
Plan	A	B
	16'4"	16'4"



3D CAD models are available on request

In line with our policy of continuous product development, we reserve the right to change models, sizes, specifications and prices without prior notice. All orders placed will be for the currently available specification of the relevant item. Design rights and copyrights apply to all products shown in this product sheet. No part of the publication can be copied or reproduced in any form whatsoever without prior consent of the publisher. www.basestructures.com



For more information please contact Tensile Structure Systems
info@tensileinc.com | TensileInc.com